

The 3/2 way electrovalves V2H3 are designed for maximum highest reliability and service quality. The heavy-duty construction without electronic components guarantees a long service life. All inner parts including the valve seats can be replaced.

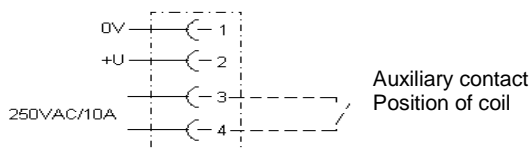
Technical Data:

Design: directly actuated, normally closed
 Materials: Valve body: nickel-plated brass or stainless steel 1.4301
 Inner parts: stainless steel 1.4034
 Valve seat: medium compressed air: Polyamide PA6
 Medium fluids: stainless steel 1.4034
 Mounting position: as required
 Weight: V2H3-2: 5000g
 V2H3-4: 4000g
 Application temperature: 0 °C to +45°C at 100%ED
 Medium: Water, compressed air, oils of differing viscosity, models can be supplied on demand for other mediums.
 Operation: non-latching magnet coil (solenoid), manual emergency operation (HK)
 Running time: 100%
 Operating frequency: 200/h
 Application: Hydraulic for maximum reliability for use in power stations, water distributors and high service quality plants.
 Certification:

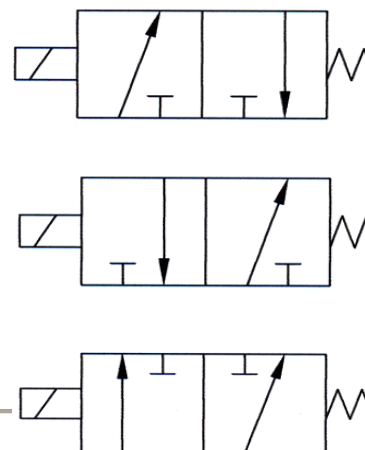
Type	Operating pressure [bar]	Flow ø [mm]	Power input Operation [VA]	Operating voltage 50/60 Hz [VAC]	Operating voltage [VDC]
V2H3-2	0 – 100*	15	44	230/400	24/48/110/230
V2H3-4	0 – 200*	8	44	230/400	24/48/110/230

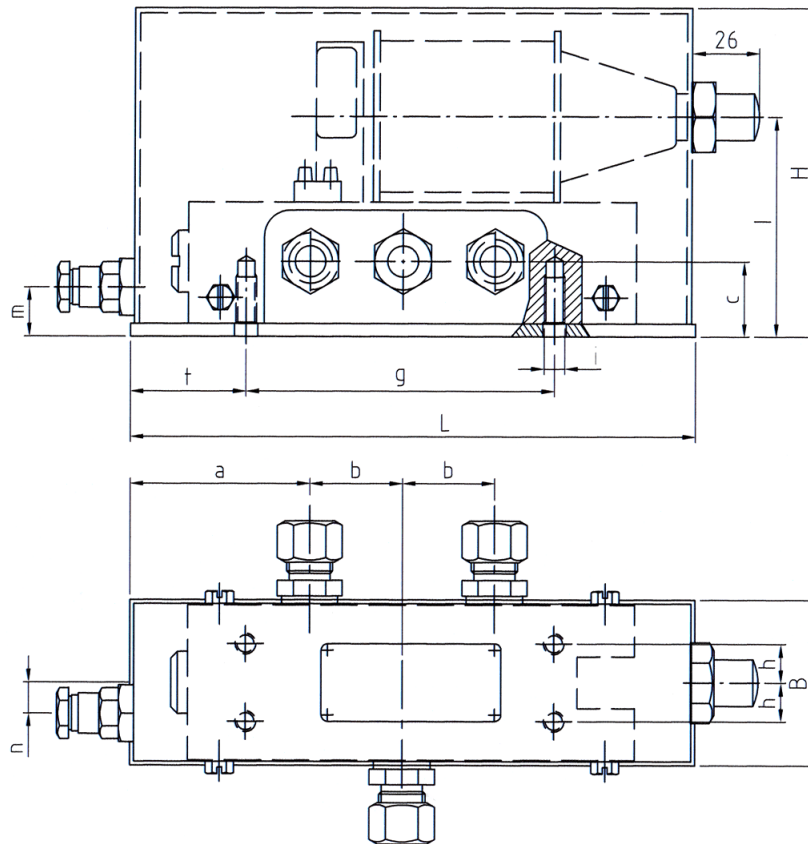
*Medium Air: V2H3-2 0-30bar
 V2H3-4 0-70bar

Terminal assignment:



Hydraulic diagram:





Type	L	B	H	a	b	c	N/Ga	f	g	h	i	k	l	m	n
V2H3-2	211	54	118	61	36	29	1/2 / 3/4	40	120	15	2xM8	18	82	19	12
V2H3-4	168	54	118	53	20	23	1/4 / 3/8	42	60	15	2xM5	15	70	19	12



V2H3 with manual emergency actuation